

FORKLIFT AGV

AMADEUS family

DS
AUTOMOTION



DS AUTOMOTION GmbH | Headquarters | Lunzerstraße 60 | 4030 Linz | Austria | Tel. +43 (0) 732 6957 5828
DS AUTOMOTION LLC | Office USA | 691 N. Squirrel Road, Suite 119 | Auburn Hills | MI 48326 | USA | Tel. +1 248 370 8950
E-Mail: amadeus@ds-automation.com | www.ds-automation.com

Born driverless

The AMADEUS-family is a result of 35 years experience in the development of driverless transport systems. The AMADEUS forklifts accommodate laser navigation as well as the contour-based Navigation (SLAM).

The AGVs can be offered with all different types of navigating systems offered from DS AUTOMOTION and it is possible to integrate them into existing systems.

The sensors for personal safety work without blind spot with unobstructed 360 ° surround view. It fits seamlessly in the new design of DS AUTOMOTION with a compact, rounded vertex. For the interaction with operators the AMADEUS-family offers a 10" touch display and can also be equipped with voice output.

Other options include ToF depth image cameras for additional property protection, Blue Spots projectors and Laser lane marker for collision avoidance with manual forklifts.

Technical Details

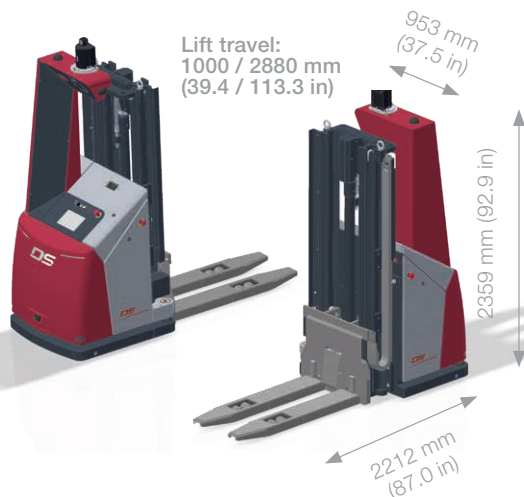
Overview:

Max. Payload	1,5 t (3300 lbs) / 2,0 t (4400 lbs)
Max. Speed	1,8 m/s
Lifting height / Fork height	Mono Mast: 85 mm – 1000 mm (3,3 in – 39,4 in) Duplex Mast: 85 mm – 2880 mm (3,3 in – 113,4 in)
Navigation	Laser, SLAM technology
Power supply	automatic charging, battery replacement
Battery	Li-NMC (24V / 208Ah / 312 Ah) Trog 63 Lead Gel (24V / 375Ah) Trog 63
low maintenance cost due to	AC drives

Personal safety:

- Protected integrated laser scanner with 360 ° surround view

AMADEUS classic



Field of application:

- pallets lengthwise
- pallet cages crosswise
- floor space
- row of floor space
- transfer station (accessible with legs)
- pallet racks up to 2.700 mm

AMADEUS wide



Field of application:

- pallets crosswise
- pallet cages crosswise
- load carriers / frames
- floor space
- row of floor space
- transfer station (accessible with legs)